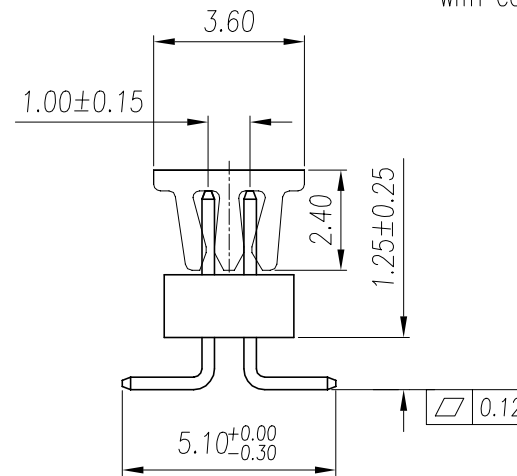


- NOTES:
 1.MATERIAL:
 1.1 HOUSING: SEE TABLE
 1.2 CONTACTS: SEE TABLE
 2.FINISH:
 2.1 CONTACT: SEE P/N
 3.THE CONNECTOR IS RoHS COMPLIANT.
 4.BURR IS 0.5mm MAX.
 5.SPEC. PLS. REFER TO PS-60236-XXXXX-XXX
 6.PACKAGE PLS. REFER TO 60236-XXXXX-XXX-PCK
 7.P/N: 60236-XXX X X-001

CKTS ————
 006~026 PINS ————
 PACKING ————
 PLATING:
 1:GOLD FLASH OVER ALL
 7: TAPE & REEL WITH COVER



CKT NO.	A	B
006	2.00	3.20
008	3.00	4.20
010	4.00	5.20
012	5.00	6.20
014	6.00	7.20
016	7.00	8.20
018	8.00	9.20
020	9.00	10.20
022	10.00	11.20
024	11.00	12.20
026	12.00	13.20

NO	DESCRIPTION	Q'TY	MATERIAL	PLATING & COLOR
C	COVER		LCP	UL 94V-0, BLACK
B	TERMINAL		COPPER ALLOY	0.6u" MIN. GOLD OVER ALL
A	HOUSING	1	LCP	UL 94V-0, BLACK

QUALITY SYMBOLS MAJOR Ⓜ CRITICAL Ⓢ GENERAL TOLERANCES (UNLESS SPECIFIED) X. ±0.5 XX ±0.25 XXX ±0.15 .XXX ±0.1 ANGLES ±2°	DRAWN BY LYU JIA YING DATE 20/04/17	
	CHECKED BY TENG CHANG HO DATE 20/04/17	
APPROVED BY KUO JUNG HSUN DATE 20/04/17	UNITS mm	SIZE A4
SCALE X: X	SHEET NO. 1 OF 1	REV B
TOLERANCES: ±0.30		RFG NO. RFG-714-170718-01-P DWG NO. 60236-XXXXX-XXX